

LA-122 Universal Antenna Kit

Listen[®]

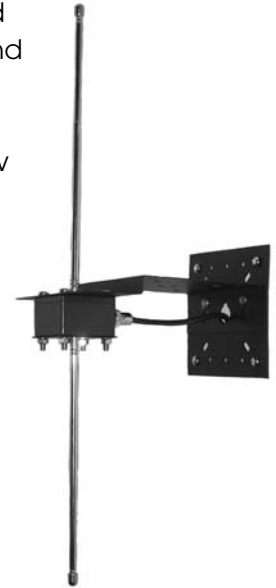
www.ListenTech.com

Specify Part Number

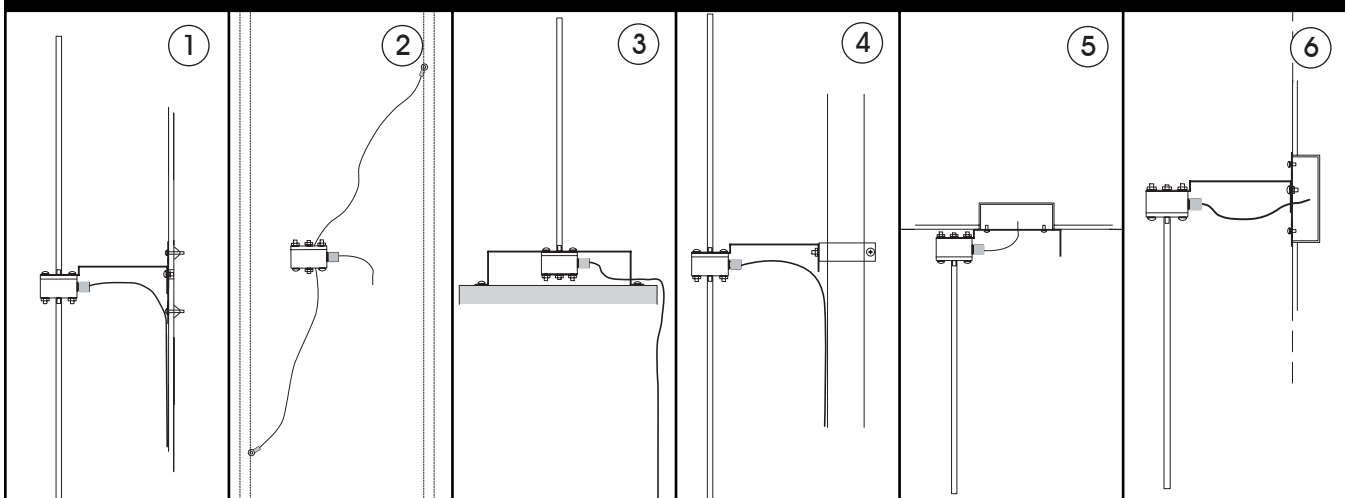
LA-122

Listen's LA-122 Universal Antenna Kit is the ONE solution for all your remote antenna needs. The kit contains both 72 MHz and 216 MHz antennas; monopole and dipole antenna options; and hardware to mount on a wall, on electrical boxes, on a horizontal surface (flat and inverse), inside a wall or ceiling. It can also be mast mounted (hardware not included). See the list below for a few of the possibilities.

- Includes both 72 MHz and 216 MHz antennas
- Monopole and dipole antenna options included
- Rigid and flexible radials are included
- All hardware to mount on a wall, on electrical boxes, on a horizontal surface (flat and inverse), inside a wall or ceiling is included



Mounting Possibilities



1. Wall mount dipole* or monopole
2. Flexible dipole (in a wall or rafter area)
3. Horizontal surface monopole (up or down)
4. Mast or conduit mount
5. Electrical box monopole inverse ceiling mount
6. Electrical box wall mount dipole* or monopole (Single or double gang)

*Dipole antenna configuration recommended for bet range/coverage. Should be oriented vertically for best results. Not weather proof or wind resistant. All of this and other information is available at www.ListenTech.com

Listen Technologies Corporation

8535 South 700 West, Suite A
Sandy, UT 84070-2515 U.S.A.
Phone: 1.801.233.8992 or 1.800.330.0891
Fax: 1.801.233.8995
Email: info@ListenTech.com

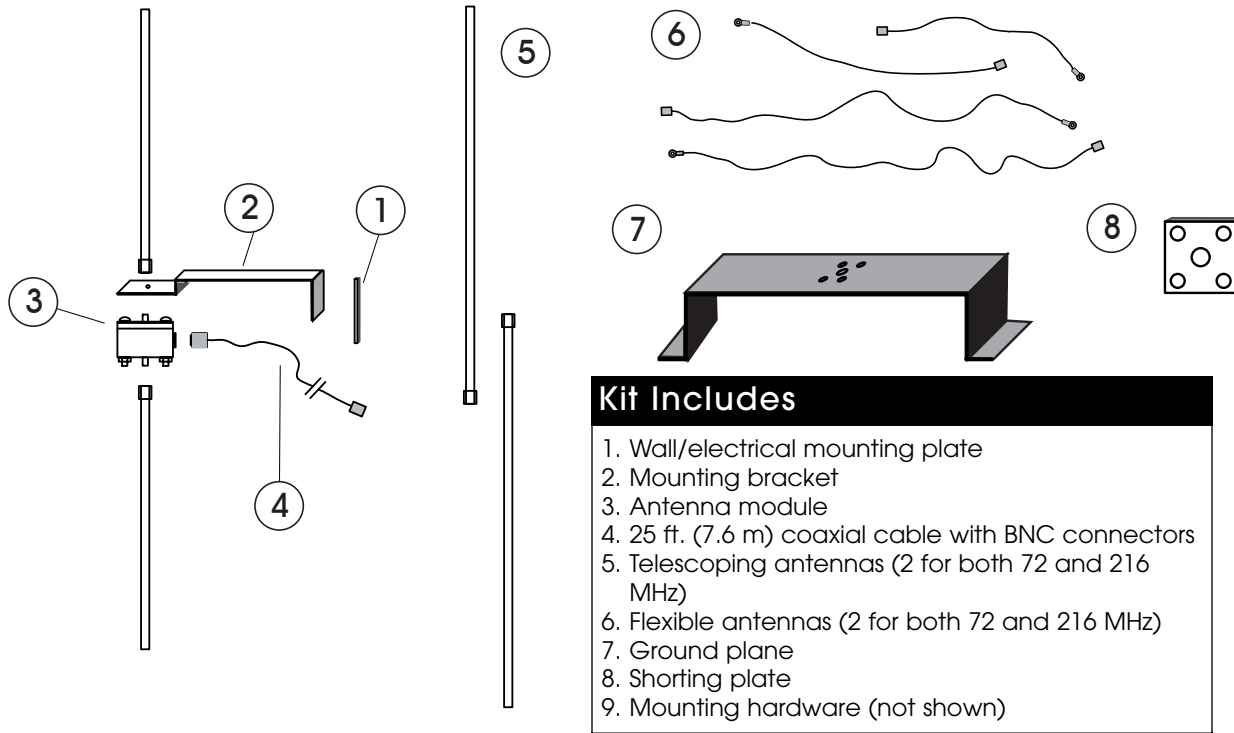
Don't miss a single sound.



LA-122 Universal Antenna Kit



www.ListenTech.com



| Specifications | 72 MHz | 216 MHz |
|-----------------------------|--|---------------------|
| Frequencies | 72.0 - 76.0 MHz | 216.0- 216.9875 MHz |
| Center Frequencies | 73.50 MHz | 216.50 MHz |
| Antenna Types | Monopole and dipole | |
| Antenna Radials | Rigid and flexible | |
| Antenna Gain | Unity | |
| Dipole Vertical Clearance | 79.75 in. (2.03 m) | 25.75 in. (65.4 cm) |
| Connector | RG-58 BNC | |
| Coax Provided | 25 ft. (7.6 m) RG-58, 50 ohm coaxial cable | |
| Mounting Options | Wall mount, dual and single electrical box, ceiling electrical box, horizontal surface mount (such as a top of a rack), ceiling/inverse mounting, flexible mounting in-wall or in ceiling and mast or conduit mount. | |
| Mounting Hardware | Includes self-tapping sheet metal screws, drywall anchors, and all hardware required to mount to electrical boxes. Does not provide hardware required to mount of a mast (available at most hardware stores). | |
| Mounting Bracket Dimensions | 4.5 x 7.0 x 2.5 in. (11 x 18 x 6.4 cm) W x D x H | |
| Mounting Plate Dimensions | 4.48 x 4.55 in. (11.4 x 11.6 cm) | |
| Antenna Segment Lengths | 39.25 in. (1.0 m) | 12.25 in. (31.1 cm) |
| Weight | 4.4 lbs. (2 kg) | |
| Shipping Weight | 4.4 lbs. (2 kg) | |
| Shipping Box Dimensions | 16.3 x 2.76 x 17.1 in. (41.4 x 7 x 43.3 cm) | |

Architectural Specifications

The Universal Antenna Kit shall be capable of operating from 72.0 to 76.0 MHz with a center frequency of 73.5 MHz and from 216.0 to 217.0 MHz with a center frequency of 216.5 MHz. The kit shall include the necessary mounting hardware to mount the antenna on a single or dual electrical box, directly on a wall, on a ceiling electrical box and/or on a flat surface. The antenna shall have a BNC connector and the kit shall come with 25 ft (7.6 m) of RG58 coax cable with BNC connectors. The kit shall include rigid and flexible antenna radials. The Listen LA-122 Universal Antenna Kit is specified.

Don't miss a single sound.

Listen Technologies Corporation
8535 South 700 West, Suite A
Sandy, UT 84070-2515 U.S.A.

Phone: 1.801.233.8992 or 1.800.330.0891
Fax: 1.801.233.8995
Email: info@ListenTech.com

LA-122 Universal Antenna Kit

Listen®

www.ListenTech.com

Accessories



LA-127 RG-58 BNC Cable Connector



LA-114 Coaxial Connector Installation
(2 connectors)



LA-121 BNC Adapter
(LT-800-072 only)



LA-112 RG-58 Coaxial Cable



LA-113 R-G8 Low Loss Coaxial Cable

Use With



LT-800-072 or LT-800-216 Stationary Transmitter



LR-100-072 or LR-100-216 Stationary Receiver / Power Amplifier



LR-600-072 or LR-600-216 Wireless Speaker / Receiver

Warranty

Listen Technologies Corporation (Listen®) warrants its antenna (LA-122) to be free from defects in workmanship and material under normal use and conditions for 90 days from date of purchase. This warranty is only available to the original end purchaser of the product and cannot be transferred. Warranty is only valid if warranty card has been returned within 90 days of purchase. This warranty is void if damage occurred because of misuse or if the product has been repaired or modified by anyone other than a factory authorized service technician. Warranty does not cover normal wear and tear on the product or any other physical damage unless the damage was the result of a manufacturing defect. Listen is not liable for consequential damages due to any failure of equipment to perform as intended. Listen shall bear no responsibility or obligation with respect to the manner of use of any equipment sold by it. Listen specifically disclaims and negates any warranty of merchantability or fitness of use of such equipment including, without limitation, any warranty that the use of such equipment for any purpose will comply with applicable laws and regulations. The terms of the warranty are governed by the laws of the state of Utah, U.S.A. Listen will only accept returned products with prepaid shipping and with a return merchandise authorization number. To receive a return merchandise authorization number call 1.800.330.0891 or 1.801.233.8992. Please see www.ListenTech.com or contact Listen for complete warranty details.

Don't miss a single sound.

Listen Technologies Corporation
8535 South 700 West, Suite A
Sandy, UT 84070-2515 U.S.A.

Phone: 1.801.233.8992 or 1.800.330.0891
Fax: 1.801.233.8995
Email: info@ListenTech.com